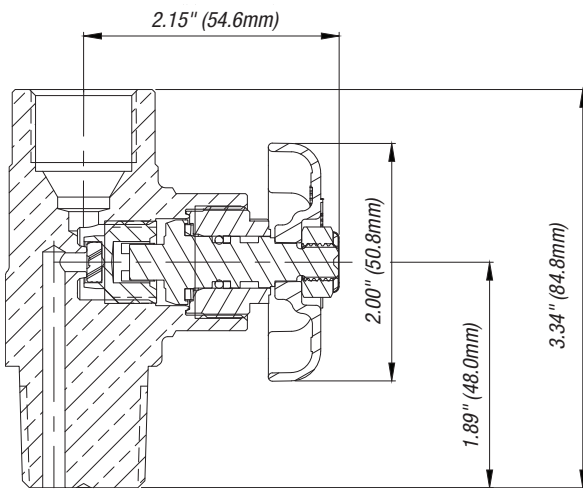
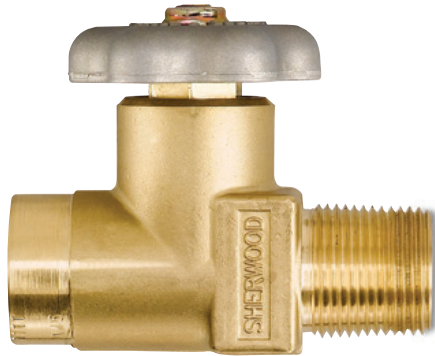


Acetylene Valves

GVT Series Vertical Outlet Acetylene Valves



GVT51060

Standards Conformance

CGA V-9	Standard for Gas Cylinder Valves
CGA S-1.1	Standard for Pressure Relief Devices
CGA V-1	Compressed Gas Cylinder Valve Outlet + Inlet Connections
A-A-59860	US General Services Administration Standards for Gas Cylinder Valves

Ordering Information

Sherwood Part Number	CGA Outlet	Outlet Thread Size	Inlet Thread Size
GVT51060	510	.885-14 NGO LH Int.	3/4"-14 NGT
GVT30060	300	.825-14 NGO RH Ext.	3/4"-14 NGT

Key Features & Benefits

- Heavy-duty brass forged body
- O-ring designed for leak integrity and easy operation
- Handwheel eliminates interference with cylinder collar
- Easy-to-read valve markings roll stamped on outlet neck
- Soft seat design provides positive shut-off

Design Specifications

	English	Metric
Max. Working Pressure	500 PSI	34.5 Bar
Burst Pressure	15,000 PSI	1034 Bar
Leak Rate	1x10 ⁻³ atm cc/sec.	1x10 ⁻⁵ Bar mL/sec.
Temperature Range		
Operating	-50° F → +149° F	-46° F → +65° F
Cycle Life Min.	2000 Cycles 10-	2000 Cycles 1.1-
Max. Operating Torque	20 in.-lbs. 20-30	2.2 N-m 2.2-3.3
Closing Torque	in.-lbs.	N-m
Cv Flow Factor	.69	.69
Seat Orifice	.158 in.	4.0 mm

Materials of Construction

Part Number	Part Description	Materials of Construction
3329-8	Handwheel	Aluminum ASTM SC84B
1251-6	Locknut	Class 8 Steel with Nylon Insert
1400-3	Stem	Brass C36000
N/A	Bonnet	Brass C36000 H02 Temper 1/2 Hard or CW614N Brass (European)
N/A	Backup O-Ring	Ethylene Propylene (EPDM)
G011EP	O-Ring	Ethylene Propylene (EPDM)
N/A	Thrust Washer	Delrin® 500AF
	Plug and Seat Subassembly	
	Plug	Leaded Naval Brass C48500
1400-40	Seat	Nylon, Zytel 101
N/A	Body	Forged Brass C37000
N/A	Lubricants	Christo-Lube