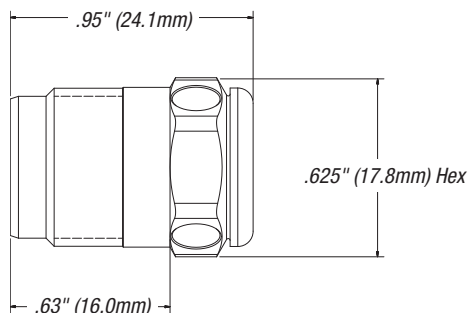


# Pressure Relief Devices



P625-19X9-XXX

**Ordering Information**

Pressure Relief Device			-XX	Cylinder Working Pressure			Disc Rupture Range PSI @ 160° F	
CG-1 Frangible Disc No Fuse Metal	CG-4 * Frangible Disc 165° F Fuse Metal	CG-5 * Frangible Disc 212° F Fuse Metal		D.O.T. Spec 3A 3AA 3AL Cylinders PSI	D.O.T. Exemption Cylinders PSI	International Cylinders Bar	Min.	Max.
<i>GV Low Pressure</i>								
P625-19N9-26	P625-19C9-26M	P625-19C9-26W	-26	1665	—	—	2500	2775
P625-19N9-28	P625-19C9-28M	P625-19C9-28W	-28	1800	—	—	2700	3000
P625-19N9-32	P625-19C9-32M	P625-19C9-32W	-32	2015	—	—	3025	3360
P625-19N9-35	P625-19C9-35M	P625-19C9-35W	-35	2265	—	—	3400	3775
P625-19N9-38	P625-19C9-38M	P625-19C9-38W	-38	2400	—	—	3600	4000
P625-19N9-39	P625-19C9-39M	P625-19C9-39W	-39	—	—	200	3915	4350
P625-19N9-43	P625-19C9-43M	P625-19C9-43W	-43	2670	—	—	4005	4450
P625-19N9-46	P625-19C9-46M	P625-19C9-46W	-46	2900	—	—	4350	4833
P625-19N9-47	P625-19C9-47M	P625-19C9-47W	-47	2950	—	—	4425	4917
<i>GVHM High Pressure</i>								
P625-19N9H-48	—	P625-19C9H-48W	-48	3000	—	230	4500	5000
P625-19N9H-55	—	P625-19C9H-55W	-55	3500/3600	—	—	5250	5833
P625-19N9H-63	—	P625-19C9H-63W	-63	4000	—	—	6000	6665
P625-19N9H-65	—	P625-19C9H-65W	-65	—	4500	300	6075	6750
P625-19N9H-71	—	P625-19C9H-71W	-71	—	5000	—	6750	7500
P625-19N9H-78	—	P625-19C9H-78W	-78	5000	—	—	7500	8333
P625-19N9H-85	—	P625-19C9H-85W	-85	—	6000	—	8100	9000
P625-19N9H-95	—	P625-19C9H-95W	-95	6000	—	—	9000	10,000

\* Copper disc must be used for hydrogen service.

Pressure relief devices come standard with a copper disc. For nickel disc option with CG-4 and CG-5, use an "N" in place of the "C" in the part number.

For chrome-plated CG1 PRDs, add "1" before Part Number. For example, P625-19N9H-XX becomes 1-P625-19N9H-XX.