

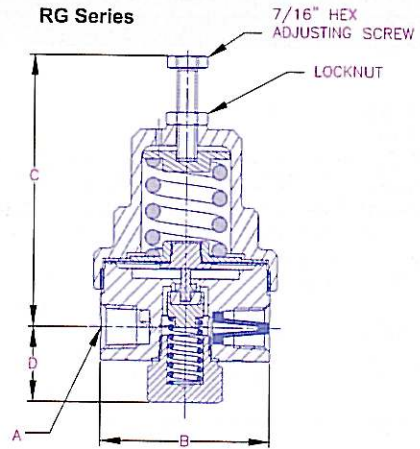
Cryogenic Regulators RG Series

Application

The RG series cryogenic regulators are primarily designed to maintain pressure on cryogenic liquid within cryogenic containers. They may also be used in cryogenic lines, vaporizer and converter applications. They are especially useful in installations where space and cost limitations are important.

Features

- All parts are copper alloy (brass), PTFE and stainless steel—materials selected specifically for compatibility with cryogenic temperatures down to -320°F.
- Body and bonnet machined from solid brass bar stock.
- PTFE seat helps assure a positive shut-off at cryogenic temperatures down to -320°F.
- High and low pressure regulators are the same compact size—designed to fit in close quarters.
- Interchangeable with existing cryogenic regulator units.
- Inlet filter helps prevent foreign material from entering the regulator.
- Locknut is provided to maintain adjusting screw setting.
- Maximum inlet pressure of 550 PSIG.
- Cleaned for liquid oxygen service per CGA G-4.1
- 100% Factory Tested



Materials

Body	Brass
Bonnet	Brass
Seat Retainer.....	Brass
Seat	PTFE
Springs	Stainless Steel
Diaphragm Gasket.....	PTFE
Backcap Gasket	Copper
Diaphragm.....	Bronze

Ordering Information

Part Number	Inlet / Outlet Connections (F.NPT) A	Width B	C	D	Pressure Setting (PSIG)	Operating Range (PSIG)
RG125A	1/4"	2 1/16"	3"	1"	125	25-250
RG300A					300	125-350

*Contact factory for additional settings.

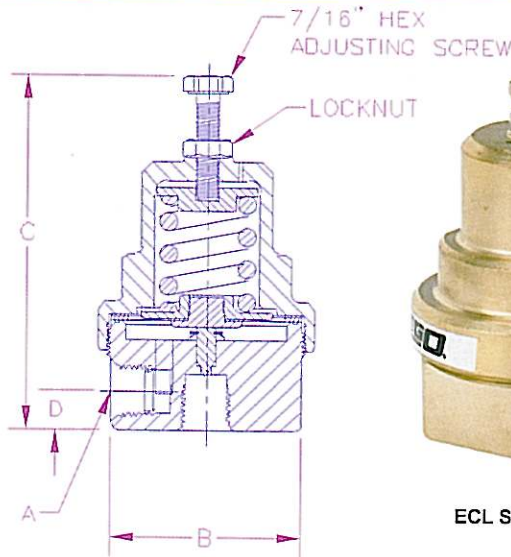
Cryogenic Economizers ECL Series

Application

The ECL series cryogenic economizers are primarily designed to utilize the gas pressure in a liquid cryogenic cylinder that would otherwise be lost to the atmosphere through the pressure relief valve. They may also be used in cryogenic lines, vaporizer and converter applications. They are especially useful in installations where space and cost limitations are important.

Features

- All parts are copper alloy (brass), PTFE and stainless steel—materials selected specifically for compatibility with cryogenic temperatures down to -320°F.
- Body and bonnet machined from solid brass bar stock.
- The ECL Series utilizes a stainless steel needle seat design that provides a very sensitive flow control at lower pressure settings.
- High and low pressure economizers are the same compact size—designed to fit in close quarters. The compact high pressure design has no loss of capacity.
- Interchangeable with existing cryogenic economizer units.
- Inlet filter helps prevent foreign materials from entering the economizer.
- Locknut is provided to maintain adjusting screw settings.
- Maximum inlet pressure of 550 PSIG.
- Cleaned for liquid oxygen service per CGA G-4.1
- 100% Factory Tested



ECL Series

Materials

Body	Brass
Bonnet	Brass
Seat	Stainless Steel
Springs	Stainless Steel
Gasket	PTFE

Ordering Information

Part Number	Inlet / Outlet Connections (F.NPT) A	Width B	C	D	Pressure Setting (PSIG)	Operating Range (PSIG)
ECL22	1/4"	2 1/16"	3"	3/8"	22	10-150
ECL70					70	
ECL140					140	
ECL325					325	150-350

*Contact factory for additional settings.