

# Inertrol Outfits

## 4286 Series, 4289 Series & 4291 Series

### Application

The 4286, 4289, and 4291 series inertrol outfits are three stage nitrogen regulators especially designed to maintain oilfilled transformer atmospheres at 0.5 PSIG. Each inertrol outfit consists of a two-stage regulator connected in series to a highly sensitive single-stage regulator which maintains the 0.5 PSIG pressure. A built-in pressure relief valve in the third stage regulator helps protect against over-pressurization of the system.

These inertrol units are designed for oil-filled transformers manufactured by ABB, Inc., General Electric, and Cooper Power. Some outfits are equipped with an alarm gauge that activates a customer equipped warning device should the cylinder pressure drop below 300 PSIG.

### Features

- Heavy duty brass and aluminum construction resists corrosion and provides for longer life.
- The 4289 series incorporates a special by-pass valve to allow for quick filling of the transformer.
- Hidden pressure adjusting screw helps protect against tampering by unauthorized personnel.
- Large diameter diaphragm in the third-stage regulator provides for sensitive and precise control of the gas flow.
- Maximum inlet pressure - 3000 PSIG.

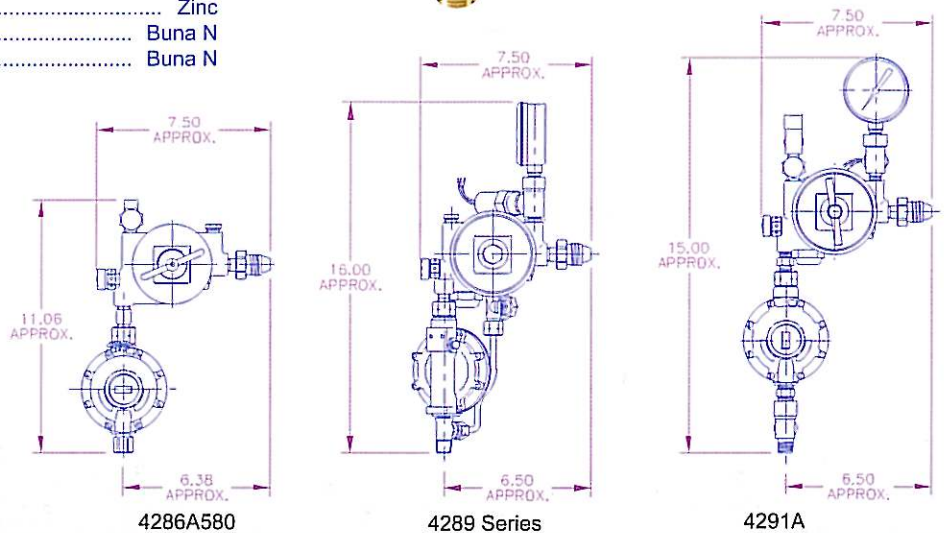
### Materials

#### Two-Stage Regulator:

Body ..... Brass  
 Bonnet ..... Brass  
 Diaphragms ..... Synthetic Rubber  
 1st Stage Seat Disc ..... Nylon  
 2nd Stage Seat Disc ..... Neoprene

#### Third-Stage Regulator:

Body ..... Zinc  
 Bonnet ..... Zinc  
 Diaphragm ..... Buna N  
 Seat Disc ..... Buna N



### Ordering Information

| Part Number | Gas Service | Inlet  | Outlet         | Two Stage Regulator Part number | Third Stage Regulator Part Number | Alarm Gauge | Transformer Manufacturer |
|-------------|-------------|--------|----------------|---------------------------------|-----------------------------------|-------------|--------------------------|
| 4286A580    | Nitrogen    | CGA580 | 1/8" NPT       | 4286A-2NW                       | 4286-10-8                         | None        | ABB, Inc.                |
| 4289AG      |             |        | 9/16" -18 L.H. | 4289A-2G                        | 4289-10                           | 4285-9B     | General Electric         |
| 4289G       |             |        |                |                                 |                                   | None        |                          |
| 4291A       |             |        | 3/8" NPT       | 4291B-2                         | 4286-10-8                         | 4285-9B     | Cooper Power             |