

# Stainless Steel Globe Valve for Cryogenic Service Goddard 210 Series

## Features

- **Top Entry:** This valve can be permanently installed in the line and serviced from the top
- **Soft Seated:** PCTFE Seat provides a bubble tight seal and is replaceable
- **Construction:** Stainless steel body and bonnet
- **Sizes:** ½" - 4" (15mm - 150mm)
- **Ends:** RF Flange, Butt weld, Socket weld, Threaded (FNPT)
- **Service:** Liquefied and vaporized atmospheric gases, LNG
- **Temperature Rating:** -325°F - 150°F (-196°C +65°C)
- **Pressure Rating:** (Cold, Non-shock)  
Class 150 valve - 275 PSIG (19 bar)  
Class 300 valve - 720 PSIG (50 bar)

½" - 4" Class 150  
PED Approved, Approved for US and Canada  
½" - 4" Class 300  
PED Approved, Approved for US and Canada

Our investment cast stainless steel is specified by leading industrial gas companies for storage tank and yard operations. Special bonnet extensions can be supplied for cold box applications. Valves for hydrogen use can be supplied



Goddard 210 Series

## Ordering Information

### Stainless Body • RF Flange Ends

150# Part Number	300# Part Number	Valve Size		Ends	150# Weight		300# Weight		Estimated CV
		Inches	MM		Lbs.	Kg.	Lbs.	Kg.	
GS-00210W-8F	GS-00210W-8F3	1"	25 mm	Flange	15	6.80	20	9.07	11.50
GS-00210W-16F	GS-00210W-16F3	2"	50 mm		35	15.88	40	18.14	40.00
GS-00210W-24F	GS-00210W-24F3	3"	80 mm		65	29.48	70	31.75	60.00
GS-00210W-32F	GS-00210W-32F3	4"	100 mm		90	40.82	95	43.09	175.00

150# ANSI Class (275 PSIG Cold Working Pressure)  
300# ANSI Class (720 PSIG Cold Working Pressure)

### Stainless Body • Butt Weld, Socket Weld, Threaded Ends

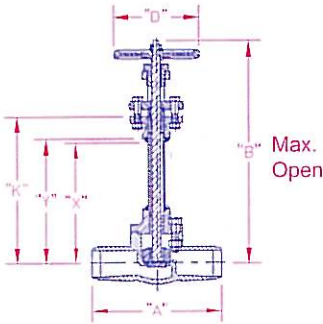
150# Part Number	300# Part Number	Valve Size		Ends	Weight		Estimated CV
		Inches	MM		Lbs.	Kg	
GS-00210W-4S3	GS-00210W-4S3	½"	15 mm	Socket Weld	15	6.80	3.90
GS-00210W-4T3	GS-00210W-4T3	½"	15 mm	Threaded	15	6.80	3.90
GS-00210W-6S3	GS-00210W-6S3	¾"	20 mm	Socket Weld	15	6.80	7.10
GS-00210W-6T3	GS-00210W-6T3	¾"	20 mm	Threaded	15	6.80	7.10
GS-00210W-8S3	GS-00210W-8S3	1"	25 mm	Socket Weld	15	6.80	11.50
GS-00210W-8T3	GS-00210W-8T3	1"	25 mm	Threaded	15	6.80	11.50
GS-00210W-12S3	GS-00210W-12S3	1½"	40 mm	Socket Weld	25	11.34	29.00
GS-00210W-16W3A	GS-00210W-16W3A	2"	50 mm	Butt Weld SCH10	35	15.88	40.00
GS-00210W-16W3J	GS-00210W-16W3J	2"	50 mm	Butt Weld SCH40	35	15.88	40.00
GS-00210W-24W3A	GS-00210W-24W3A	3"	80 mm	Butt Weld SCH10	55	24.95	60.00
GS-00210W-24W3J	GS-00210W-24W3J	3"	80 mm	Butt Weld SCH40	55	24.95	60.00
GS-00210W-32W3A	GS-00210W-32W3A	4"	100 mm	Butt Weld SCH10	80	36.29	175.00
GS-00210W-32W3J	GS-00210W-32W3J	4"	100 mm	Butt Weld SCH40	80	36.29	175.00

150# ANSI Class (275 PSIG Cold Working Pressure)  
300# ANSI Class (720 PSIG Cold Working Pressure)

\* Second number indicates valve for 300# part number.

Service: 300#-720 PSI Non-shock Cold • Service: 150#-275 PSI Non-shock Cold • Temperature Rating +150°F to -325°F

# Stainless Steel Globe Valve for Cryogenic Service Goddard 210 Series



## Butt Weld Ends

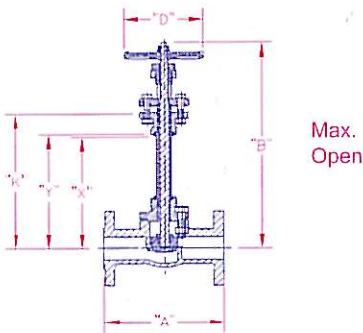
Size	"A"	"B"	"D"	"K"	"X"	"Y"
2"	10½"	22¼"	7"	15"	12¾"	13 <sup>1</sup> / <sub>16</sub> "
3"	Δ12"	30½"	10"	21½"	19 <sup>1</sup> / <sub>16</sub> "	19¾"
4"	Θ13½"	36¾"	12"	24¼"	21 <sup>11</sup> / <sub>16</sub> "	22"
6"	17½"	43¼"	18"	33 <sup>3</sup> / <sub>16</sub> "	28 <sup>13</sup> / <sub>16</sub> "	29 <sup>3</sup> / <sub>16</sub> "

Δ For SCH. 40 A=12½"

Θ For SCH. 40 A=14"

\* Unless otherwise specified, SOH 10 weld ends are supplied

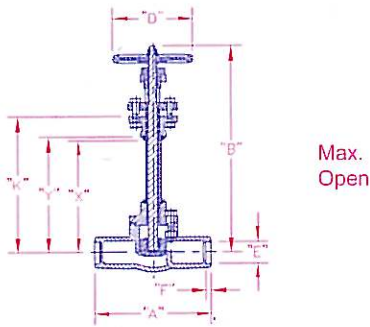
• Special B,K,X & Y dimensions available.



## Raised Face Flange Ends\*

Size	"A" 150#	"A" 300#	"B"	"D"	"K"	"X"	"Y"
1"	6½"	8"	18⅝"	5"	12¾"	11 <sup>1</sup> / <sub>16</sub> "	11 <sup>3</sup> / <sub>8</sub> "
2"	8"	10½"	22¼"	7"	15"	12¾"	13 <sup>1</sup> / <sub>16</sub> "
3"	9½"	12½"	30½"	10"	21½"	19 <sup>1</sup> / <sub>16</sub> "	19¾"
4"	11½"	14"	36¾"	12"	24¼"	21 <sup>11</sup> / <sub>16</sub> "	22"

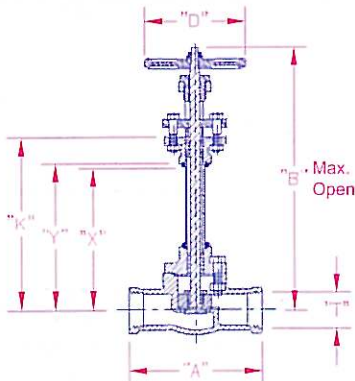
• Special B,K,X & Y dimensions available.



## Socket Weld Ends

Size	"A"	"B"	"D"	"E"	"F"	"K"	"X"	"Y"
½"	5"	18⅝"	5"	.855	⅜"	12¾"	11 <sup>1</sup> / <sub>16</sub> "	11 <sup>3</sup> / <sub>8</sub> "
¾"	5"	18⅝"	5"	1.065	½"	12¾"	11 <sup>1</sup> / <sub>16</sub> "	11 <sup>3</sup> / <sub>8</sub> "
1"	5"	18⅝"	5"	1.330	½"	12¾"	11 <sup>1</sup> / <sub>16</sub> "	11 <sup>3</sup> / <sub>8</sub> "
1½"	10¼"	22¼"	7"	1.915	½"	15"	12¾"	13 <sup>1</sup> / <sub>16</sub> "

• Special B,K,X & Y dimensions available.



## Threaded Ends

Size	"T" - NPT	"A"	"B"	"D"	"K"	"X"	"Y"
½"	½"-14	5"	18⅝"	5"	12¾"	11 <sup>1</sup> / <sub>16</sub> "	11 <sup>3</sup> / <sub>8</sub> "
¾"	¾"-14	5"	18⅝"	5"	12¾"	11 <sup>1</sup> / <sub>16</sub> "	11 <sup>3</sup> / <sub>8</sub> "
1"	1"-11½	5¾"	18⅝"	5"	12¾"	11 <sup>1</sup> / <sub>16</sub> "	11 <sup>3</sup> / <sub>8</sub> "

• Special B,K,X & Y dimensions available.