

# 8000 Series Valves

*Introducing the NEW*

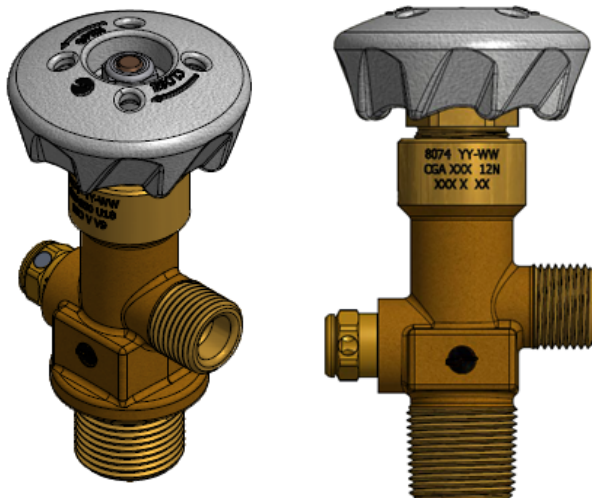
## SUPERIOR<sup>®</sup> DIAPHRAGM PACKLESS VALVES



Superior's 8074 Series of Brass Diaphragm Packless Valves are designed for a variety of high-purity and high-pressure applications, UHP mixtures and pure gas applications.

### Key Features & Benefits

- New smooth operating stem ensures ease of operation during filling and use.
- Anti-extrusion seat for longer life.
- Diaphragm in wetted gas area are a nickel based alloy for corrosion resistance.
- Rated at 3000 PSI Cylinder Service Pressure
- Available with unitized pressure-relief device having fuse-metal backed or unbacked burst disc
- Available with standard CGA connections as well as international inlets and outlets



### Design Specifications

Working Pressure (Maximum)	3000 PSI (200 Bar)
Operating Temperature	-50° F to +149° F (-45° C to +65° C)
Storage Temperature	-65° F to +155° F (-54° C to +68° C)
Leak Rate Internal/External	$1 \times 10^{-7}$ atm cc/sec. (mL/sec.)
Closing Torque	50 in.-lbs. @ 3000 PSI (5.6 N-m)
Operating Torque	20-40 in.-lbs. @ 3000 PSI (2.3 to 4.5 N-m)
Cycle Life (Minimum)	2000 Cycles (Minimum)



**SUPERIOR**  
SPECIALTY GAS VALVES

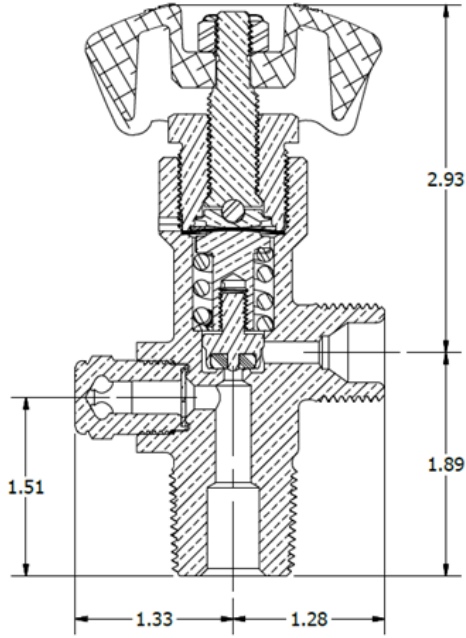


**SHERWOOD<sup>®</sup>**

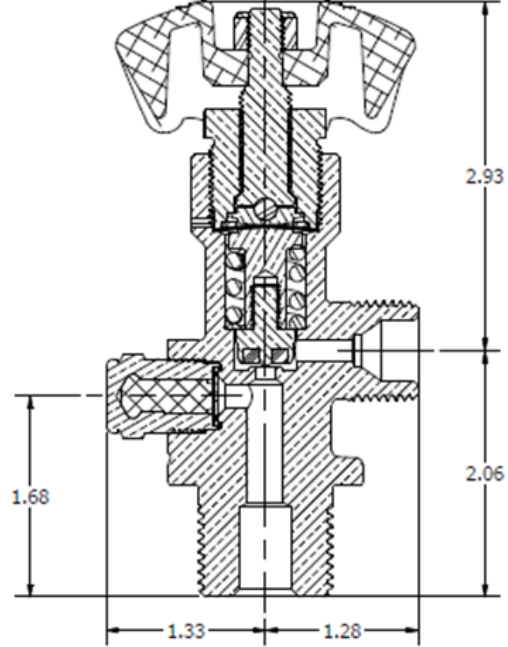
888.508.2583  
specgas@sherwoodvalve.com  
www.sherwoodvalve.com

# 8000 Series Valves

8074XXX64-XXS



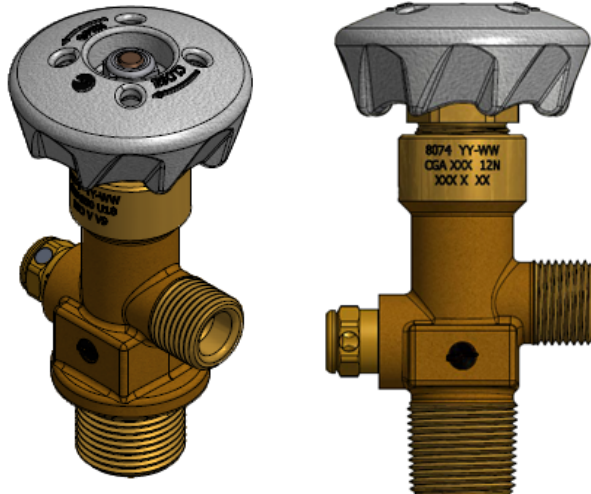
8074XXX54-XXS



## Ordering Information

8074 **XX** **XXX** **X** **X** - **XX** **X** **XXX**

Outlet Code*	Outlet Designation	Inlet Designation	Safety Type	Safety Pressure	Burst Disc Material	Special Features
(NONE) = CGA Outlet	Letter or number from the associated specification	5 = Straight Thread 1 1/8"-12 UNF (unless changed by special feature)	0 = No Safety	28 = 3000 PSIG	N = Nickel	-3 = 3 Threads Oversize
BS = British Standard		6 = 3/4"-14 NGT	1 = Unbacked Frangible Disc	32 = 3360 PSIG	C = Copper	-4 = 4 Threads Oversize
DIN = German		25E = 25,8 ISO/DIS & DIN 28,8	4 = Backed Frangible Disc with 165° Fuse Metal	35 = 3775 PSIG	S = Stainless	-7 = 7 Threads Oversize
*Additional outlet options available upon request			5 = Backed Frangible Disc with 212° Fuse Metal	38 = 4000 PSIG		R = Tapped for Flow Restrictor
						T = Tapped for Inlet Dip Tube
						V = Vespel Seat
						K = Kynar Seat
						CC = Cap and Chain
						-75 = 3/4-16UNF Inlet Thread (When Inlet Designation is 5)



## Materials of Construction

Part Description	Materials of Construction
Body	C37700 Brass
Bonnet	C36000 Brass
Stem	C48500 Brass
Ball Bearing	440C Stainless Steel
Stem Bearing Button	C48500 Brass
Diaphragm Support	Nylon 6/6
Diaphragm	301 Stainless Hastelloy
Spring Retainer	C3600 Brass
Spring	316 Stainless Steel
Seat Holder	C36000 Brass
Seat Insert	Nylon - Zytel



**SUPERIOR**  
SPECIALTY GAS VALVES



**SHERWOOD®**

888.508.2583  
specgas@sherwoodvalve.com  
www.sherwoodvalve.com