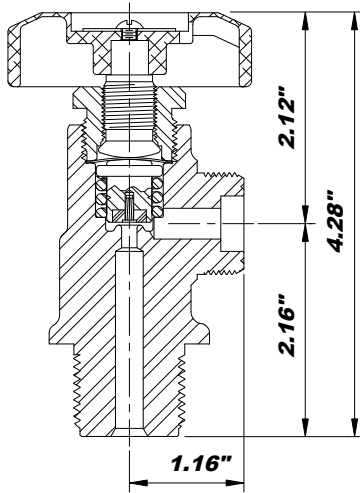


6074 Series

303 SS Diaphragm Packless Valves

Sherwood's 6074 Series is designed for a variety of applications, including analytical & instrumentation gases, EPA protocol gases, environmental monitoring and medical applications using pharmaceutical gases.



- Standardized anti-extrusion pin feature prevents seat extrusion and cold flow of the polymeric seat
- Available in multiple seat material configurations to accommodate all high-purity gas applications
- Increased flow (Cv) to aid in reducing vent and purge times
- Low operating torque design ensures ease of operation during filling and use
- Available with unitized pressure-relief device having fuse-metal backed or unbacked burst disc
- Optional inlets equipped for dip tube assembly
- Available with standard CGA connections as well as international inlets and outlets

6074 X (CGA) X X X - C

X =
E = Electropolish
G = 25E
K = Kynar (PVDF Seat)
R = Tapped for Flow Restrictor
T = Tapped for Inlet Dip Tube
V = Vespel Seat
X15 = 1 1/8"-12 UNF

Material
N = Nickel Burst Disc
P = Platinum Burst Disc
S = Stainless Burst Disc

PSIG
A = 3000 PSIG
B = 3360 PSIG
C = 3775 PSIG
D = 4000 PSIG

Temperature
M = 165° Fuse Metal
W = 212° Fuse Metal

Additional Options
C = Add to Part Number for Cap and Chain

303 SS Diaphragm Packless Valves

Valve Series	Inlets	Outlets	Seat Material
6074 Series	3/4"-14 NGT	CGA	PCTFE
	5/8"-14 NGT		PVDF
	1/2"-14 NGT		
6074X15E Series	1 1/8"-12 UNF-2A	CGA	PCTFE PVDF
6074 International Series	BS 341,	BS 341,	
	DIN 477, ISO; All Others Available upon Request	DIN 477, ISO; All Others Available upon Request	PCTFE PVDF

Pressure-Relief Device

Burst Pressure @ 165° F	A – 3000 PSIG
	B – 3360 PSIG
Burst Disc Material	C – 3775 PSIG
	D – 4000 PSIG
	Nickel 200
	316L Stainless Steel Platinum-Clad Nickel
Type (per CGA S-1.1 latest edition)	None, Where Prohibited
	CG-1 Burst Disc Only
	CG-2 Fuse Plug 165° F Fuse Metal
	CG-4 Burst Disc w/ 165° F Fuse Metal
	CG-5 Burst Disc w/ 212° F Fuse Metal

Optional Features

Aluminum Handwheel	Available in Red, Blue or Rubber Coated, and Chrome Plated 6 or 8 Lobed
Outlet	Tapped for 5/16"-24 UNF Flow Restrictor
Inlet Tap	Available in 1/4", NPT or 10 mm
Electropolishing of Gas Wetted Areas	

Specifications

Max. Service Pressure	3000 PSIG	200 Bar
Temperature Range	-50° F → 130° F	-45° C → 54° C
Leak Rate @ 2000 PSIG (138 Bar)	1x10 ⁻⁷ atm cc/sec.	1x10 ⁻⁷ Bar mL/sec.
Closing Torque	50 in.-lbs. @ 2000 PSIG	5.6 N-m @ 138 Bar
Cv with Restrictor	.326	.326
Cv without Restrictor	.635	.635