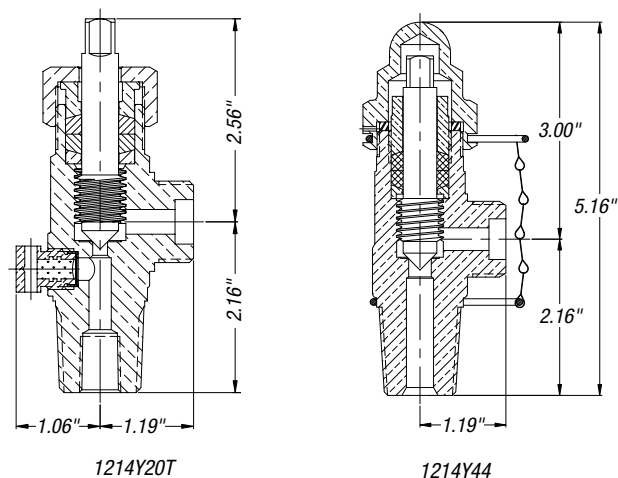


# 1214Y Series

## Aluminum Silicon Bronze Packed Wrench-Operated Valves

Sherwood's 1214 Series is designed for use in applications using chlorine gas, chlorine liquids, corrosive gases, insecticides & fumigants, preservatives and bleaching agents.

- Aluminum silicon bronze valve body offers proven resistance against various corrosive gases
- One-piece monel stem provides positive shutoff in corrosive gas service with exceptional durability
- Teflon<sup>®</sup> packing promotes easy operation while providing a durable leak-resistant stem seal
- Optional tapped inlet threads for dip tube assembly
- Available with standard CGA connections as well as international inlets and outlets
- Available with unitized pressure-relief device having fuse metal backing



### Packed Wrench-Operated Valves

Sherwood Part Number	Inlet Thread Size	Outlet Designation	PRD	Features	CV
1214Y26B	3/4"-14 NGT	330	None	1/4" Inlet Tap; Cap and Chain Oxygen Cleaned	.880
1214Y42	3/4"-14 NGT	330	3360 PSIG, CG-5	Cap and Chain	.880
1214Y9R-330PxM	3/4"-14 NGT	330	CG-4, x = Burst Pressure Rating (see chart below)	—	.880
1214Y24	3/4"-14 NGT	330	None	1/4" Inlet Tap	.880
1214Y41B	3/4"-14 NGT	330	None	Secondary Seal Cap Oxygen Cleaned	.880
1214F6	3/4"-14 NGT	660	None	Outlet Cap and Chain	.880
1214Y20T	3/4"-14 NGT	660	3360 PSIG, CG-4	1/4" Inlet Tap	1.482
1214Y44	3/4"-14 NGT	679	None	Secondary Seal Cap Oxygen Cleaned	1.885
1214Y3-SB	3/4"-14 NGT	670/679	None	Oxygen Cleaned	1.885

### Pressure-Relief Device

Burst Pressure @ 165° F

B – 3360 PSIG  
C – 3775 PSIG  
D – 4000 PSIG

Burst Disc Material

Platinum-Clad Nickel

Type  
(per CGA S-1.1 latest edition)

None, Where Prohibited  
CG-2 Fuse Plug 165° F Fuse Metal  
CG-4 Burst Disc w/ 165° F Fuse Metal  
CG-5 Burst Disc w/ 212° F Fuse Metal

### Specifications

Max. Service Pressure	3000 PSIG	200 Bar
Temperature Range	-50° F → 120° F	-45° C → 49° C
Leak Rate @ 2000 PSIG (138 Bar)	1x10 <sup>-5</sup> atm cc/sec.	1x10 <sup>-5</sup> bar mL/sec.
Closing Torque @ 2000 PSIG (138 Bar)	15 ft.-lbs.	5.6 N-m