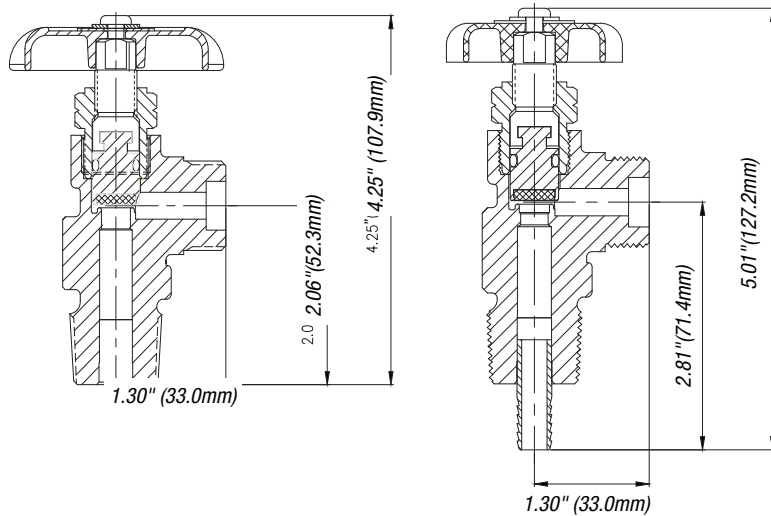


RVE Series Refrigerant Recovery Valves

Designed to ensure the cleanest, driest refrigerant gas for the most efficient operation of any HVACR system.

- **Replaceable bonnet and stem assembly for ease of service in the field**
- **For use with large multi-port refrigerant reclaim cylinders**
- **PTFE coated anti-galling stem for ease of operation**
- **Replaceable color-coded handwheels**
- **Ease of operation due to low operating torque with proven o-ring seal technology**
- **Major component forged and machined from brass alloys controlled to exacting specifications**



YVE445FR Relief Valve

Key Features & Benefits

- **For 1" NPT tank connection**
- **Up to 1000 lb. water capacity**
- **For use on DOT cylinders at 260 PSI Working Pressure**
- **Start to discharge range 390 to 520 PSI**

Sherwood Part Number	Description	Tank Connection	CGA Outlet	Handwheel
RVE6660V	Vapor Service Valve	3/4" NGT	660	Blue to Indicate Vapor Service
RVE6660L	Liquid Service Valve	3/4" NGT	660	Red to Indicate Liquid Service
YVE445FR	Relief Valve	1" NPT	None	None

Design Specifications

	English	Metric
Maximum Working Pressure	600 PSI	41 BAR
Operating Temperature Range	-50° F to +149° F	-45° C to +65° C
Storage Temperature Range	-60° F to +149° F	-51° C to +65° C
Leak Rate Internal/External	1 × 10 ⁻⁴ atm cc/s	1 × 10 ⁻⁴ mL/sec
Operating Torque	10-20 in lbs.	1.1- 2.2 N-m
Bonnet Installation Torque	50- 60 ft.-	67- 44 N-
Cv	lbs. .54	m .54

Replacement Parts

Description	RVE6660L	RVE6660V
Bonnet & Stem Assembly	3250-9LH-KIT	3250-9LH-KIT
Vapor Handwheel	1901R	1901B
Decal Plate	3250-9L	3250-9V
Washer	J23B19RA	J23B19RA
Screw	J12-F10-85AP	J12-F10-85AP

Materials of Construction for YVE445FR Valves

Part Description	Materials of Construction
Body	Brass C36000
Stem & Poppet Sub	
Poppet	Brass C36000
Seat	Neoprene W
Nut	Steel w/Zinc Plating
Stem	Steel w/Zinc Plating
Thread Sealant	Titan 7271
Guide	Brass C36000
Washer	Brass C36000
Spring	302 Stainless Steel
Retainer	Brass C36000
Protective Closure	Polyethylene Low Density
Thread Sealant	Everseal 183

Materials of Construction

Part Description	RVE6660L	RVE6660V
Body	Brass C37700	Brass C37700
Bonnet & Stem Sub		
Bonnet	Brass C36000	Brass C36000
Upper Stem	Brass C36000	Brass C36000
Gasket	Nylon 101	Nylon 101
Lower Stem Sub	O-Ring: Neoprene Lower Stem: Brass C36000 Seat: Nylon 101	O-Ring: Neoprene Lower Stem: Brass C36000 Seat: Nylon 101
Handwheel	ASTM SC848 Aluminum Die Cast	ASTM SC848 Aluminum Die Cast
Decal Plate	Polyethylene Low Density	Polyethylene Low Density
Washer	Steel w/Zinc Plate	Steel w/Zinc Plate
Screw	Steel w/Zinc Plate	Steel w/Zinc Plate
Tube	Brass C36000	—
Thread Sealant	Everseal 183	Everseal 183