

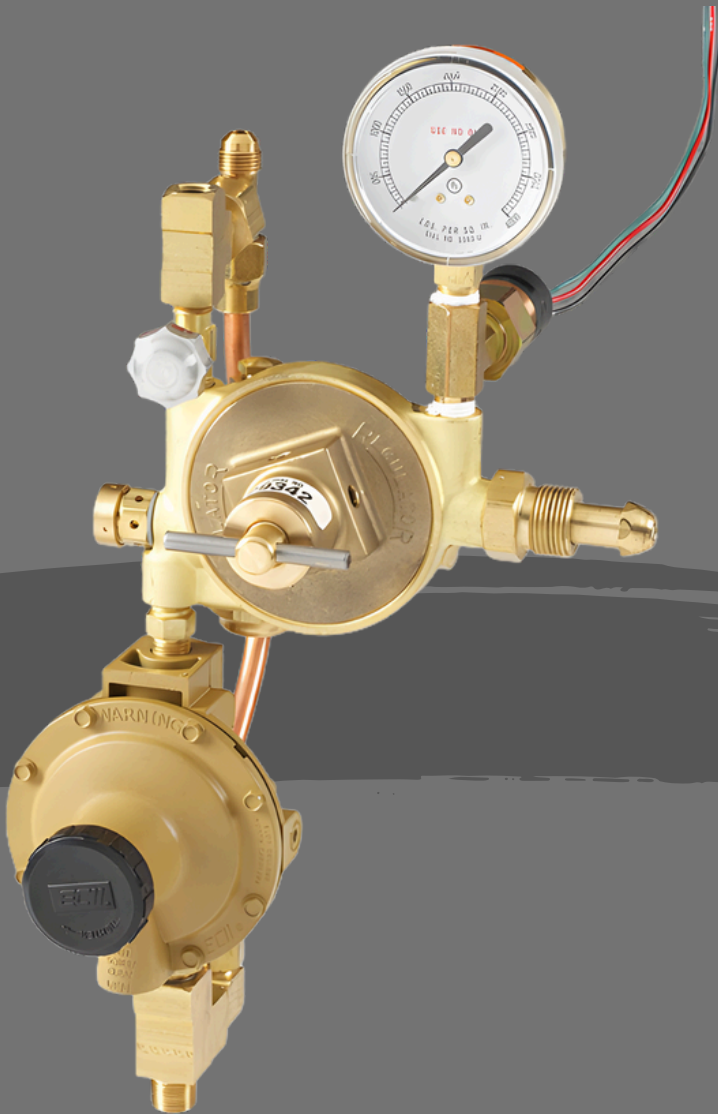
**When using inert
gas on large power
transformers, RegO
inertrol regulators
are the preferred
choice - and
Evergreen has them.**

Inertrol Outfits 4286 Series, 4289 Series, & 4291 Series

The 4286, 4289, and 4291 inertrol outfits are three-stage nitrogen regulators designed to maintain oil-filled transformer atmospheres at 0.5 PSIG.

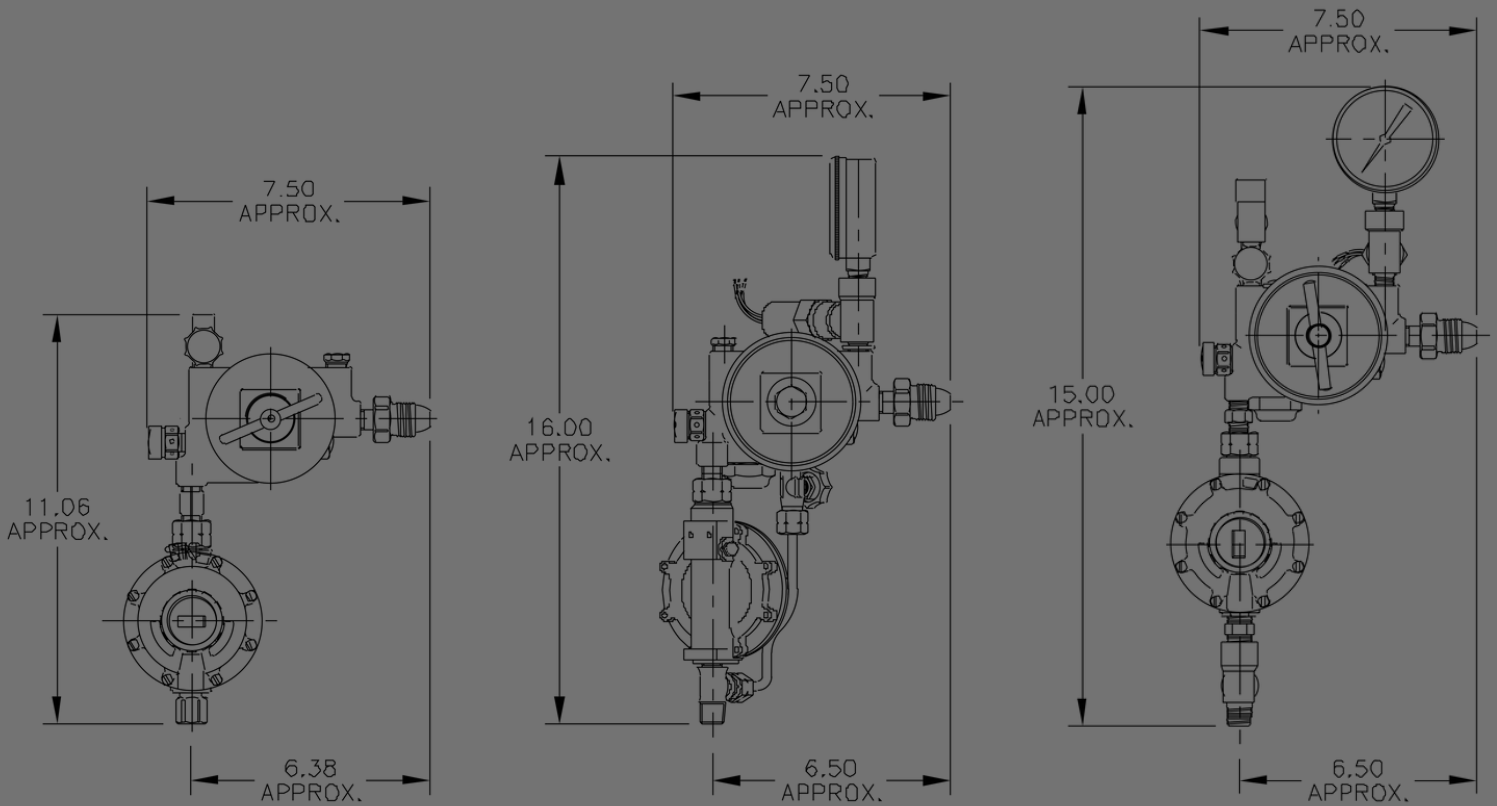
Each inertrol outfit consists of (1) two-stage regulator connected in series to (1) highly sensitive single-stage regulator maintaining the 0.5 PSIG pressure. A built-in pressure relief valve in the third-stage regulator protects against system over-pressurization.

Inertrol units are designed for oil-filled transformers manufactured by ABB, General Electric, and Cooper Power. Some units include an alarm switch. The switch activates a customer-equipped warning device should cylinder pressure drop below 300 PSIG.



- Heavy duty brass and aluminum construction resists corrosion and provides longer life.
- 4289s incorporate special by-pass valve to allow for quick transformer filling.
- Hidden pressure adjusting screw helps protect against tampering.
- Large diameter diaphragm in third-stage regulator = sensitive and precise gas flow control.
- Maximum inlet pressure 3000 PSIG.

Inertrol Outfits 4286 Series, 4289 Series, & 4291 Series



4286A580

4289 Series

4291A

| Part | Gas Service | Inlet | Outlet | Alarm Gauge |
|----------|-------------|---------|----------------|-------------|
| 4286A580 | Nitrogen | CGA 580 | 1/8" NPT | None |
| 4289AG | Nitrogen | CGA 580 | 9/16" -18 L.H. | 4285-9B |
| 4289G | Nitrogen | CGA 580 | 9/16" -18 L.H. | None |
| 4291A | Nitrogen | CGA 580 | 3/8" NPT | 4285-9B |

| Part | 2Stage Reg Part | 3Stage Reg Part | Transformer Mfg |
|----------|-----------------|-----------------|------------------|
| 4286A580 | 4286A-2NW | LV4286-10-8 | ABB, Inc. |
| 4289AG | 4289A-2G | LV4289-10 | General Electric |
| 4289G | 4289A-2G | LV4289-10 | General Electric |
| 4291A | 4291B-2 | LV4286-10-8 | Cooper Power |

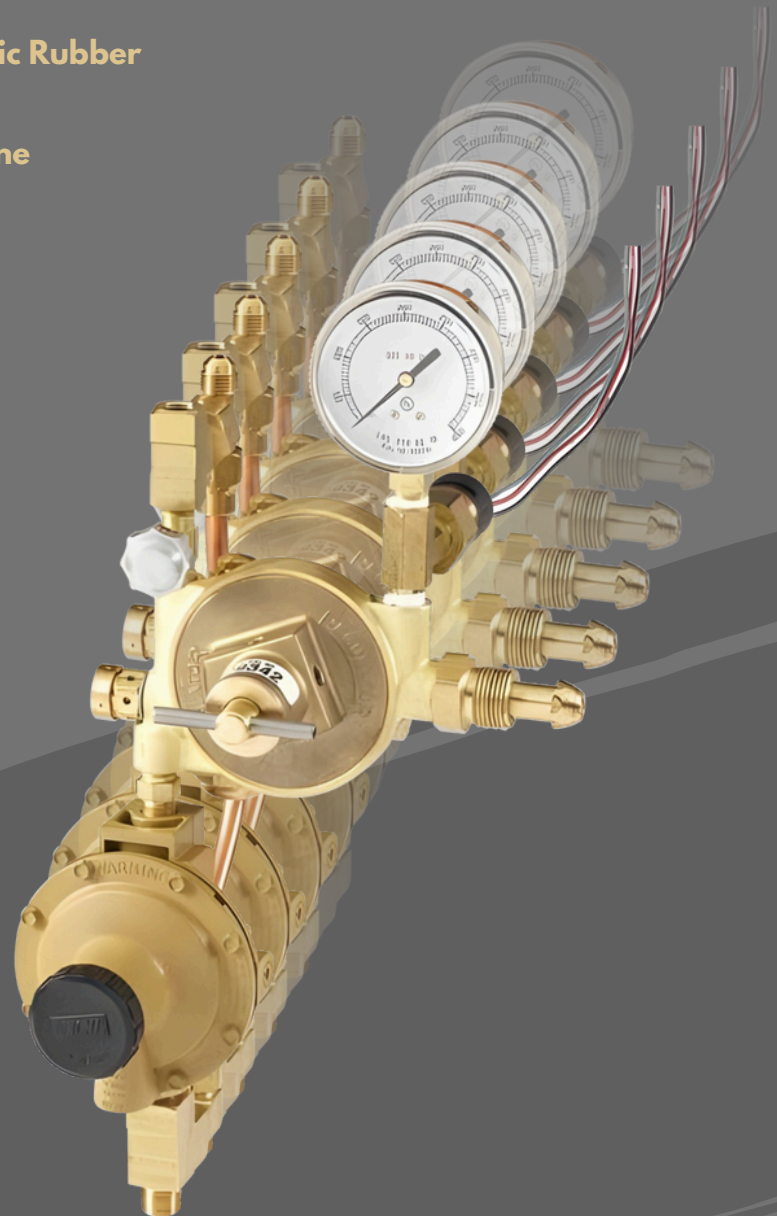
Inertrol Outfits 4286 Series, 4289 Series, & 4291 Series

Two-Stage

| | |
|---------------------|------------------|
| Body | Brass |
| Bonnet | Brass |
| Diaphragms | Synthetic Rubber |
| 1st Stage Seat Disc | Nylon |
| 2nd Stage Seat Disc | Neoprene |

Three-Stage

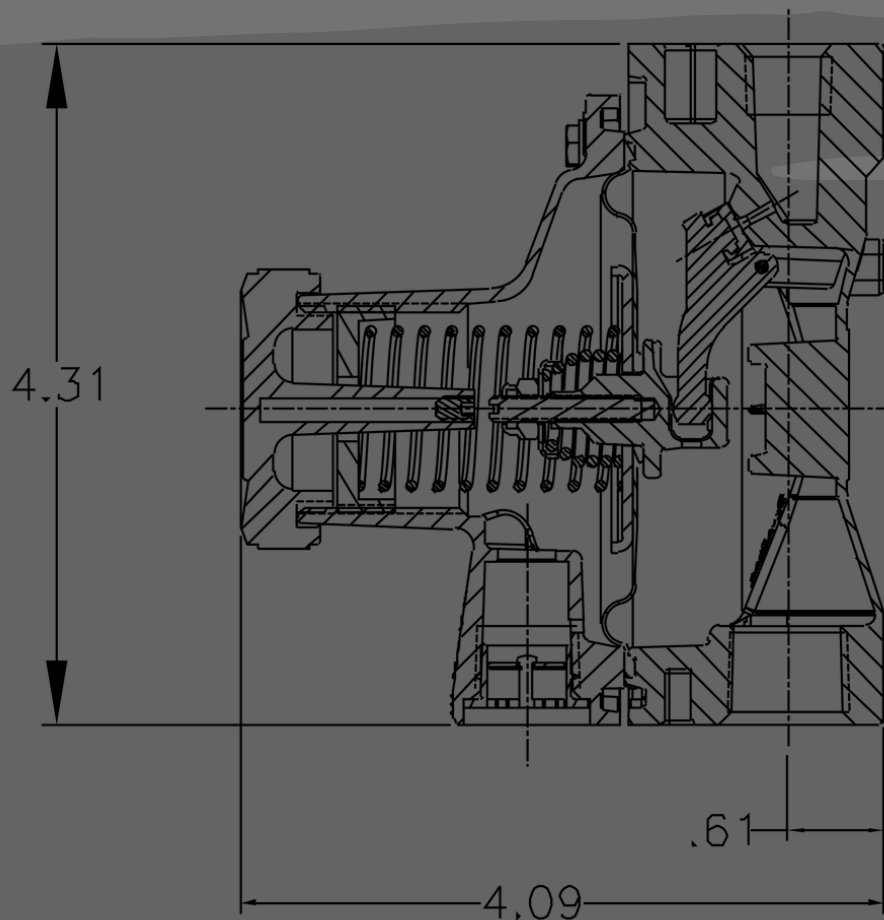
| | |
|-----------|--------|
| Body | Zinc |
| Bonnet | Zinc |
| Seat Disc | Buna N |
| Diaphragm | Buna N |



Low Pressure Regulators 4286-10 Series & 4289-10 Series

The 4286 and 4289 third-stage inertrol regulators are low pressure & designed for secondary regulation of gaseous nitrogen on electrical transformer systems. These are factory preset at 14" to 15" water column delivery pressure, with an inlet pressure of 5 to 10 PSIG.

- Large diaphragm allows for sensitive and accurate (low) pressure control.
- Integral relief valves (except on 4289-10).
- Zinc body and bonnet resist corrosion, provide longer life.
- Adjusting screw concealed by cap, prevents tampering.
- Operating temperature range is -40°F to +160°F.



Low Pressure Regulators 4286-10 Series & 4289-10 Series



| | |
|-----------|--------|
| Body | Zinc |
| Bonnet | Zinc |
| Diaphragm | Buna N |
| Seat Disc | Buna N |
| Spring | Steel |

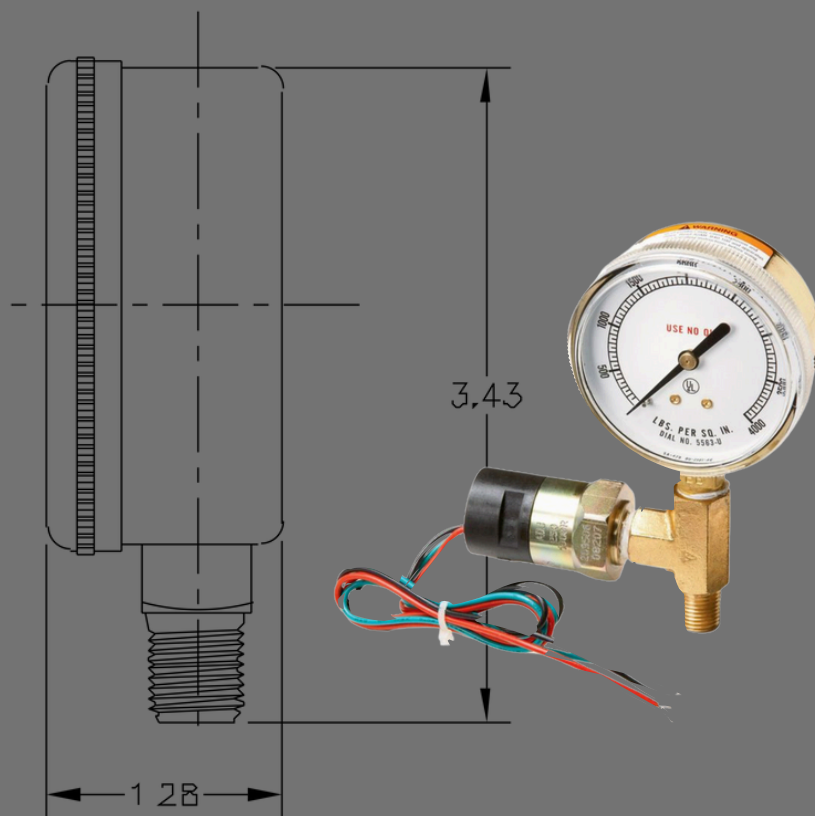
| Part Number | Inlet (NPT) | Outlet (NPT) |
|-------------|-------------|--------------|
| LV4286-10-5 | 1/4" | 1/2" |
| LV4286-10-8 | 1/4" | 1/2" |
| LV4289-10 | 1/4" | 1/2" |

| Part Number | Delivery Pressure Setting | Relief Valve Setting |
|-------------|---------------------------|----------------------|
| LV4286-10-5 | 14"-15" w. c. | 5 PSIG |
| LV4286-10-8 | 14"-15" w. c. | 8 PSIG |
| LV4289-10 | 14"-15" w. c. | None |

Alarm Gauges 4285-9B

The 4285-9B inertrol alarm gauges are designed to alert the user when pressure has fluctuated ± 90 PSIG from the 300 PSIG factory setting. Under these conditions, electrical contacts in the switch will close and set off an alarm system (user-furnished).

- Solid brass gauge casing resists corrosion and provides longer life.
- Equipped with a heavy-duty three-wire electrical cable (36").
- Each gauge is factory preset at 300 PSIG, then sealed to prevent tampering.
- Electrical circuit is rated for a maximum of 3 AMPS at 460 volts AC.



| Part Number | Inlet | Diameter | Pressure Range | Adjustable | Alarm Furnished |
|-------------|------------|----------|-----------------|------------|-----------------|
| 4285-9B | M.NPT 1/4" | 2 1/2" | (PSIG) 0 - 4000 | No | None |