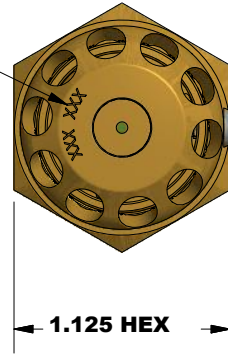


959BX10 ENVELOPE

RELIEF SETTING AND DATE CODE



1.125 HEX

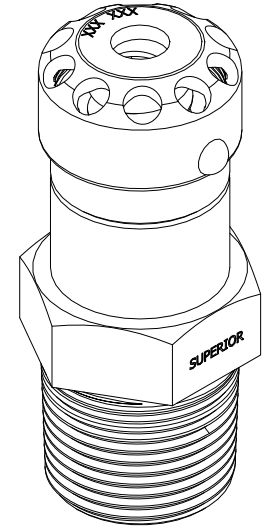
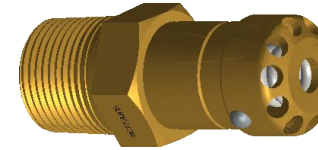
REVISIONS

A	KAM	03-10-14	ECOXXXXX
B	JWE	03-01-18	ECOXXXXX

TECHNICAL SPECIFICATIONS

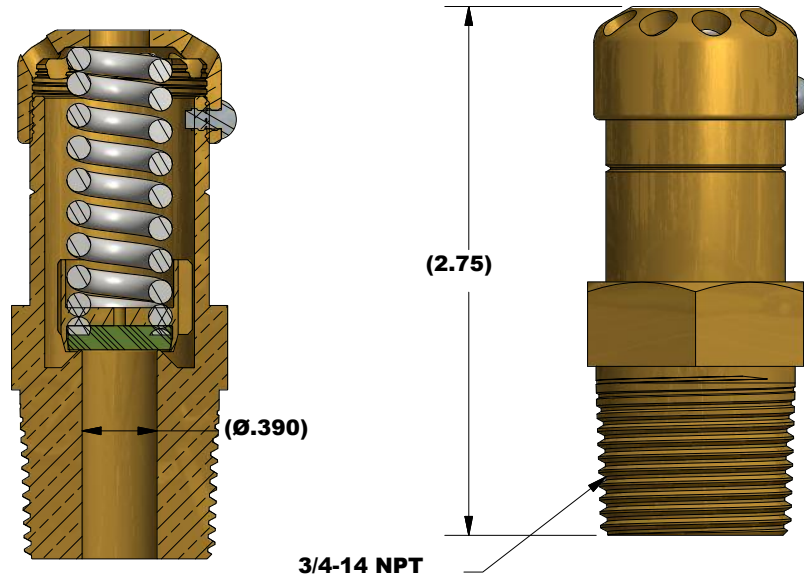
**SAFETY DEVICE APPROVED BY BUREAU OF EXPLOSIVES,
FILE 25-16-242-25AG DATED JUNE 27, 1957.
WATER CAPACITY OF 538 POUNDS FOR LIQUEFIED GAS.**

RELIEF VALVE FOR REFRIGERANT TON CONTAINERS



MATERIALS OF CONSTRUCTION

ITEM	MATERIAL
ADJUSTING NUT	BRASS C36000
DRIVE SCREW	STEEL, ZINC PLATED
SPRING	302 STAINLESS STEEL
SEAT HOLDER	BRASS C36000
SEAT DISC	TEFLON
BODY	BRASS C36000



PROPRIETARY INFORMATION
INCLUDED HEREIN IS INFORMATION PROPRIETARY TO SHERWOOD VALVE LLC. THIS INFORMATION IS
FURNISHED IN CONFIDENCE SUBJECT TO RETURN UPON DEMAND BY SHERWOOD VALVE LLC. THIS
DRAWING SHALL NOT BE RELEASED OUTSIDE THE ORGANIZATION TO WHOM SENT BY SHERWOOD VALVE
LLC, NOR USED, DUPLICATED OR DISCLOSED IN WHOLE OR IN PART FOR ANY PURPOSE WHATSOEVER
EXCEPT AS AUTHORIZED IN WRITING BY SHERWOOD VALVE LLC.

REV	CHANGE
A	CREATED NEW DRAWING
B	REDRAWN IN INVENTOR

UNLESS OTHERWISE SPECIFIED
ALL DIMENSIONS ARE IN INCHES
TOLERANCES
.XXX = ±0.005
.XX = ±0.01
ANGULAR = ±2°
EDGES OR CORNERS TO BE FILLETED OR
BROKEN .005 R OR CHAM
ALL DIAMETERS TO BE CONCENTRIC
WITHIN .008
T.I.R.

TITLE 959BX10- SERIES

DWN BY KAM	DWN DATE 3/10/2014	SCALE SCALE: 1:1
DSN CHK BY J. LANG	DSN CHK DATE	SHEET SHEET: 1 OF 1
ECO APPD BY JWE	ECO APPD DATE 6/1/2018	FORMAT ANSI - A
DWG NO. 959BX10 ENVELOPE		REV B