

Diaphragm Type Globe Valves 2550 Series



Application

The 2550 series valves are designed for use in hospital and industrial piping systems where gases are supplied from a central source to branch outlets throughout the system.

Features

- UL listed for use w/ air, acetylene, hydrogen, LP-Gas, nitrogen, and oxygen service.
- Leakage is prevented by a dependable diaphragm stem seal.
- A resilient seat disc provides positive shut-off.
- Heavy duty ACME stem threads assure easy operation and long working life.
- Maximum working pressure is 250 PSIG. (17.2 Bar)
- Working temperature range is -40°F to +165°F. (-40°C to +70°C)
- 100% Factory Tested
- All valves clean for use in oxygen per CGA G-4.1

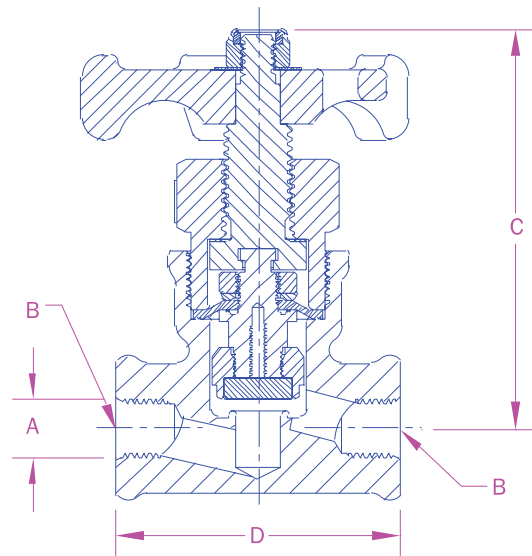


2554AC



Materials

Body (2554 series)	Cast Bronze, Tin Plated
Handwheel.....	Aluminum
Seat Disc	Filled Teflon
Diaphragm	Neoprene
Bonnet	Brass
Stem	Manganese Bronze
Handwheel.....	Aluminum



Ordering Information

Part Number	Inlet/Outlet Thread (Female NPT) A	Port Diameter B	Height C	Length D	Cv Factor
2554AC	1/2"	11/16"	3 3/8"	3 1/8"	4.3
2554AAC	3/4"				4.3