

Goddard Quikonnnect Vacuum Couplings

An extensive range of tube sizes available. Most sizes nest, and can be used as reducers in combination with one another.

-8

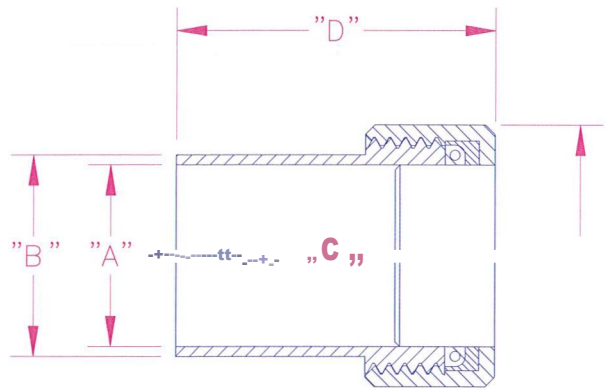
May be used for vacuum down to 1x10 Microns

Viton o-rings are standard

"Quikonnnect" vacuum couplings have four basic

components:

- * Knurled nut
- * Retainer ring
- * O-ring
- * Sleeve



	"A"	"B"	"C"	"D"	Tube Size
B-000006-M	0.072"	0.375"	5/8"	1 1/32"	1/16"
B-000012-M	0.135"	0.375"	5/8"	1 1/32"	1/8"
B-000018-M	0.197"	0.375"	5/8"	1 1/32"	3/16"
B-000025-M	0.260"	0.375"	5/8"	1 1/32"	1/4"
B-000031-M	0.322"	0.500"	13/16"	1 1/4"	5/16"
B-000038-M	0.385"	0.500"	13/16"	1 1/4"	3/8"
B-000050-M	0.510"	0.625"	7/8"	1 1/4"	1/2"
B-000062-M	0.635"	0.750"	1 1/8"	1 3/8"	5/8"
B-000075-M	0.760"	0.875"	1 1/4"	1 1/2"	3/4"
B-000087-M	0.885"	1.000"	1 7/16"	1 23/32"	7/8"
B-000100-M	1.010"	1.125"	1 1/2"	1 13/16"	1"
B-000112-M	1.135"	1.250"	1 5/8"	1 15/16"	1 1/8"
B-000125-M	1.260"	1.500"	2"	1 3/16"	1 1/4"
B-000138-M	1.385"	1.625"	2"	1 3/16"	1 3/8"
B-000150-M	1.150"	1.750"	2 1/4"	1 3/16"	1 1/2"
B-000162-M	1.635"	1.875"	2 3/8"	2 1/4"	1 5/8"
B-000200-M	2.010"	2.250"	2 3/4"	2.7"	2"