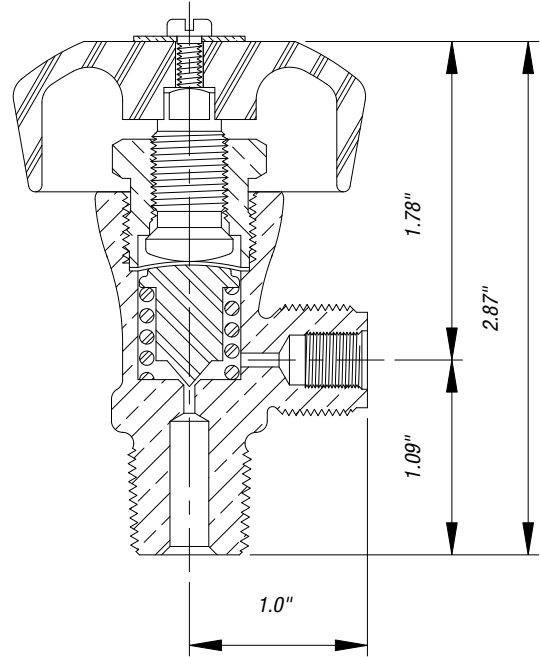


6411 Series

Diaphragm Packless Lecture Bottle Valves

Sherwood's 6411 Series is designed specifically with corrosive gases in mind and with a durable construction for the specialty gases and gas mixtures used in laboratories.

- Proven leak-tight diaphragm seal
- Forged brass, aluminum silicon bronze and 303 stainless steel bodies withstand severe service conditions
- Low operating torque design ensures ease of operation during filling and use
- Available with standard CGA connections



Diaphragm Packless Lecture Bottle Valves

Valve Series	Inlets	Outlets	Metallic Seat Material
6411 Brass Series	3/8"-18 NGT	CGA 170 180	303 Stainless Steel
6411X3 ASB Series	3/8"-18 NGT	CGA 180	303 Stainless Steel
6411X7 303 Stainless	3/8"-18 NGT	CGA 180	303 Stainless Steel

Specifications

Max. Service Pressure	3000 PSIG	200 Bar
Temperature Range	-50° F → 120° F	-45° C → 49° C
Leak Rate	1x10 ⁻⁷ atm cc/sec.	1x10 ⁻⁷ Bar mL/sec.
Closing Torque	50 in.-lbs. @ 2000 PSIG	2.24 N-m @ 138 Bar
Cv	0.2 min.	0.2 min.