



Goddard 840 Series Bronze Swing Check Valves for Cryogenic Service

- **Top Entry:** This union bonnet valve can be permanently installed in the line and services from the top
- **Construction:** Designed to prevent back flow in cryogenic systems. Higher fluid capacity (CV) than poppet or lift check valves. Bronze body and internals. Rugged construction for long life and minimal down time
- **Sizes:** ½” through 2” (15mm through 50mm)
- **Ends:** Threaded (FNPT), or with Sil Brazed Tube (SBT)
 SCH-10, Threaded back brazed pipe nipples in 1” increments up to 6”
 SCH-40, Threaded back brazed pipe nipples in 1” increments up to 6”
 SCH-80, Threaded back brazed pipe nipples in 1” increments up to 6”
- **Temperature Rating:** -325°F to 150°F (-196°C to +65°C)
- **Pressure Rating:** (Cold, Non-shock)
 840 Series 400 PSIG
 846M Series 600 PSIG
 Sizes 1½” to 2” PED Approved Per EN10204 3.1



840

Bronze Swing Check Valves - Soft Seated

Threaded, Sil Brazed Ends, Back Brazed

400 PSIG Cold Working Pressure

Threaded Ends

Part Number	NPT Size Inches	NPT Size mm	Ends	Weight Lbs.	Weight Kgs.	Estimated CV
B-000840-4T	½”	15 mm	Threaded	2.00 Lbs.	0.91 Kgs.	4.50
B-000840-6T	¾”	20 mm	Threaded	4.00 Lbs.	1.81 Kgs.	7.00
B-000840-8T	1”	25 mm	Threaded	4.50 Lbs.	2.04 Kgs.	10.00
B-000840-12T	1½”	40 mm	Threaded	8.50 Lbs.	3.86 Kgs.	40.00
B-000840-16T	2”	50 mm	Threaded	14.50 Lbs.	6.58 Kgs.	100.00

Silver Brazed - Pipe Nipple

Part Number	SBT Size Inches*	SBT Size mm*	Ends	Weight Lbs.	Weight Kgs.	Estimated CV
B-000840-4S	½”	15 mm	Silver Braze	2.50 Lbs.	1.13 Kgs.	4.50
B-000840-6S	¾”	20 mm	Silver Braze	4.5 Lbs.	2.05 Kgs.	7.00
B-000840-8S	1”	25 mm	Silver Braze	5.25 Lbs.	2.38 Kgs.	10.00
B-000840-12S	1½”	40 mm	Silver Braze	10.75 Lbs.	4.88 Kgs.	40.00
B-000840-16S	2”	50 mm	Silver Braze	17.50 Lbs.	7.94 Kgs.	100.00

* Nominal Size

846M

Bronze Swing Check Valves - Metal Seated
 Threaded, Sil Brazed Ends, Back Brazed Pipe Nipples
 600 PSIG Cold Working Pressure
 Threaded Ends

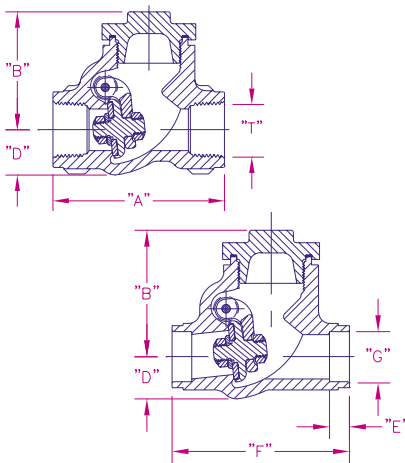
Part Number	NPT Size Inches	NPT Size mm	Ends	Weight Lbs.	Weight Kgs.	Estimated CV
B-000846M-4T6	1/2"	15 mm	Threaded	2.00 Lbs.	0.91 Kgs.	4.50
B-000846M-8T6	1"	25 mm	Threaded	4.50 Lbs.	2.04 Kgs.	10.00
B-000846M-12T6	1 1/2"	40 mm	Threaded	8.50 Lbs.	3.86 Kgs.	40.00
B-000846M-16T6	2"	50 mm	Threaded	14.50 Lbs.	6.58 Kgs.	100.00

Silver Brazed - Pipe Nipple

Part Number	SBT Size Inches*	SBT Size mm*	Ends	Weight Lbs.	Weight Kgs.	Estimated CV
B-000846M-4S6	1/2"	15 mm	Silver Braze	2.50 Lbs.	1.13 Kgs.	4.50
B-000846M-6S6	3/4"	20 mm	Silver Braze	4.50 Lbs.	2.04 Kgs.	7.00
B-000846M-8S6	1"	25 mm	Silver Braze	5.25 Lbs.	2.38 Kgs.	10.00
B-000846M-12S6	1 1/2"	40 mm	Silver Braze	10.75 Lbs.	4.88 Kgs.	40.00
B-000846M-16S6	2"	50 mm	Silver Braze	17.50 Lbs.	7.94 Kgs.	100.00

* Nominal Size

- Contact company for threaded, back brazed pipe nipple information

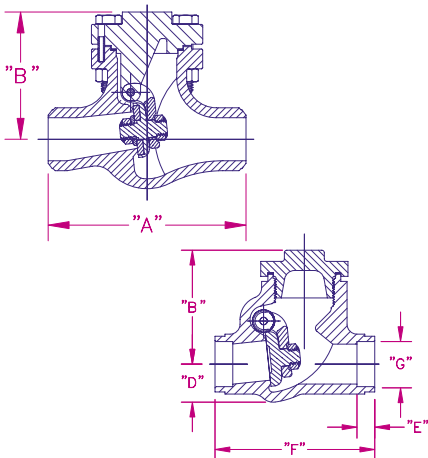


840 Series

Pressure Rating MSS SP-80 Class 200
 MAWP 400 PSIG Non-Shock Cold
 Temperature Rating +150°F to -325°F

Dimensional data
 All Dimensional Data are in inches.

Size	"A"	"B"	"D"	"T" NPT	"E"	"F"	"G"
1/2"	3.00"	2.13"	3/4"	1/2"	.38"	2.94"	.63"
3/4"	3.69"	2.81"	1.12"	3/4"	.41"	3.60"	.88"
1"	4.00"	2.81"	1.13"	1"	.45"	4.00"	1.13"
1 1/2"	5.03"	3.63"	1.44"	1 1/2"	.63"	5.03"	1.63"
2"	6.35"	4.34"	1.84"	2"	.66"	6.35"	2.13"



846M Series

Pressure Rating MSS SP-80 Class 300
 MAWP 600 PSIG Non-Shock Cold
 Temperature Rating +150°F to -325°F

Dimensional data
 All Dimensional Data are in inches.

Size	"A"	"B"	"D"	"T" NPT	"E"	"F"	"G"
1/2"	3.00"	2.13"	3/4"	1/2"	.38"	2.94"	.63"
3/4"	3.69"	2.81"	1 1/8"	3/4"	.41"	3.60"	.88"
1"	4.00"	2.81"	1 1/8"	1"	.45"	4.00"	1.13"
1 1/2"	5.03"	3.63"	1 7/16"	1 1/2"	.63"	5.03"	1.63"
2"	6.35"	4.34"	1 27/32"	2"	.66"	6.35"	2.13"